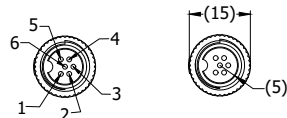
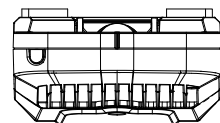
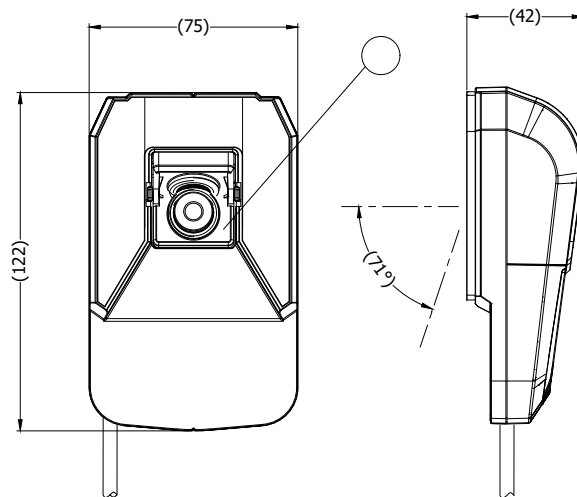
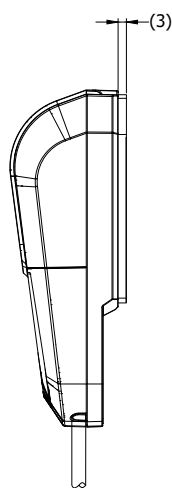
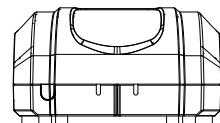


VIEW A

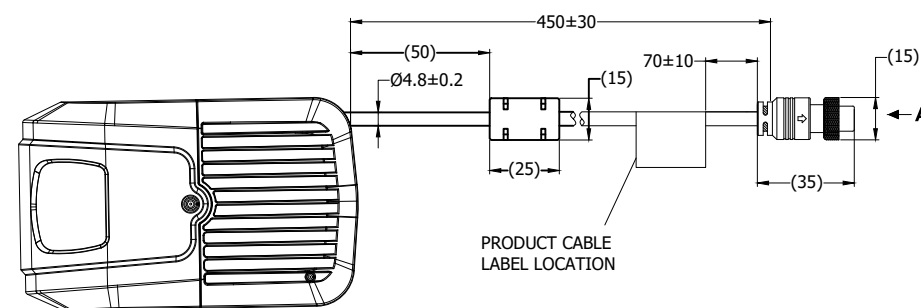
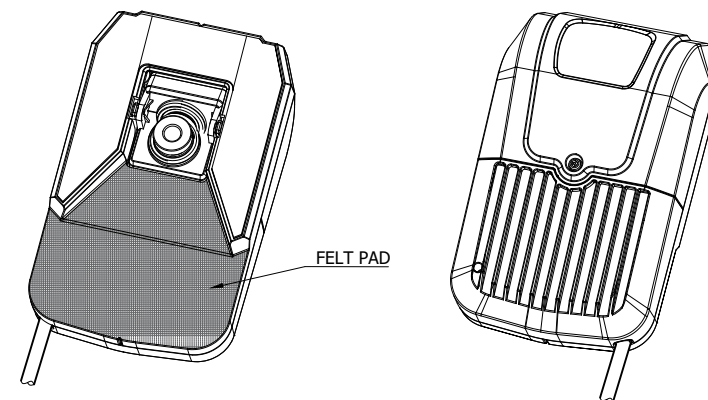


6 PIN FEMALE MATING FACE

PIN #	WIRE COLOUR	DESCRIPTION
1	ORANGE	TX-
2	WHITE	TX+
3	RED	+12V
4	GREEN	RX-
5	YELLOW	RX+
6	BLACK	GND
N/A	DRAIN WIRE & FOIL	SHIELD



Revision Notes				
R1 - FIRMWARE NUMBER IN NOTE 4 UPDATED AS PER CR-A1019.				
APA: P. BU	Drawn:S. GOVENDER	Checked:D. FOALE	Approved:A. KEBEDE	Date: 09/06/2023
R2 - FIMRWARE NUMBER IN NOTE 4 UPDATED AS PER CR-A1044				
APA: KANE JIANG	Drawn:E. MATHEW	Checked:S. ZHANG	Approved:A. KEBEDE	Date: 08/07/2024



- NOTES:**
1. FINISH IS BLACK
 2. REFER TO "PRODUCT SPECIFICATION" FOR MORE DETAILS.
 3. FOR LABELING AND AND PACKAGING DETAILS REFER TO MASTER BOM.
 4. FIRMWARE VERSION "ST_946C20_E0010_V3.5.6_R23111602" TO BE PRE-LOADED TO MAIN BOARD.
 5. PURCHASE ORDER TO DEFINE PACKAGING VARIANT.
 6. REFER TO QUICK-START CARD AND IP CAMERA OPERATIONAL GUIDE FOR CORRECT SETUP, CONFIGURATION AND INSTALLATION.

ITEM	PART NUMBER	MODEL NO	QTY	DESCRIPTION
①	5969A	IP-1000C-C	1	IP CAMERA ONLY - FORWARD FACING, AUDIO (1080P)
②	5967	IP-1000C-FIX	1	FIXING KIT (1 X T8 SECURITY TORX TOOL - L SHAPE) (NOT SHOWN)
③	7473	IP-1000C-QSC	1	QUICK-START CARD (NOT SHOWN)

Assembly Pl Approval P. BU	Approved by A. KEBEDE	Checked by S. GOVENDER	Drawn by T. UNTHANK
Angle of Projection 	Units mm	Scale N/A	Released 24/03/23
	Status RELEASED	Assembly Ref IP-1000C	
	Part No 5935A	BE-004789-02-23	

PROPRIETARY NOTICE
THIS DESIGN AND TECHNICAL INFORMATION APPEARING ON THIS DRAWING IS THE PROPERTY OF BRIGADE ELECTRONICS, AND IS DISCLOSED IN CONFIDENCE. IT IS NOT TO BE COPIED, REPRODUCED, REVEALED TO OR EXPROPRIATED BY OTHERS, EITHER IN WHOLE OR IN PART WITHOUT THE EXPRESS WRITTEN CONSENT OF BRIGADE ELECTRONICS.

